

EFFUSION CELL EF 40C1

Description

The EF 40C1 Effusion Cell is a highly reproducible and fully UHV compatible source, designed for indirect resistive heating and delivering highly constant evaporation rates.

Application

The EF 40C1 is suitable for use in all MBE systems. It has a completely molybdenum-free construction and is recommended for use with low to medium vapor pressure materials, those that are likely to be evaporated or sublimed in the temperature range $\sim 250^{\circ} - 1500^{\circ}\text{C}$.

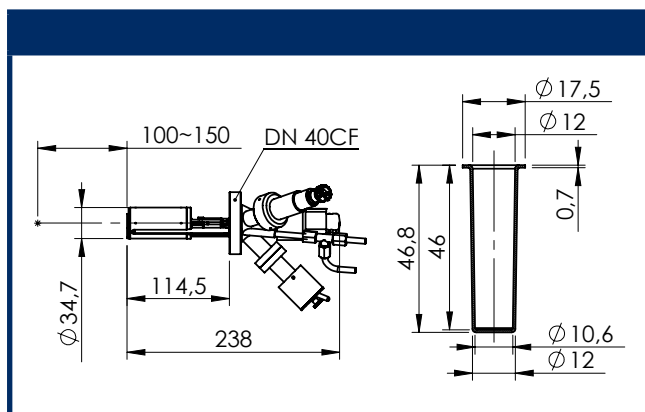
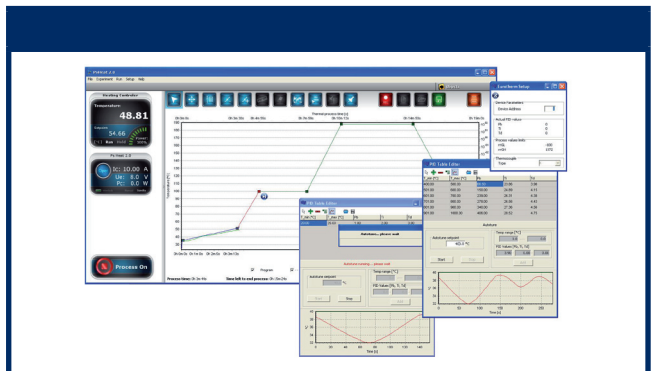
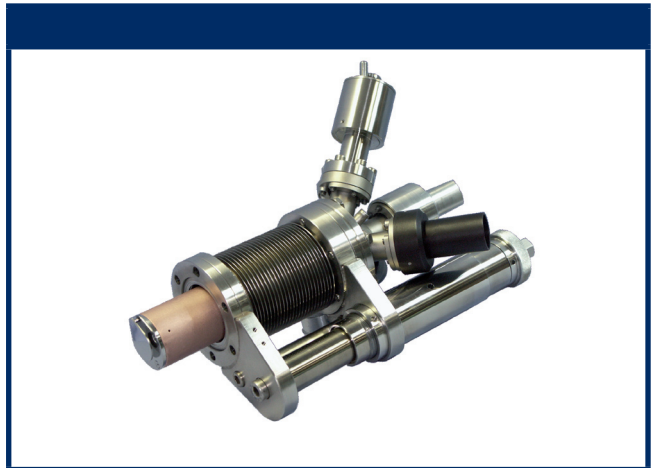
Additional information

- Crucibles – the medium temperature cell is available with 5cc crucible size. The most commonly used crucible materials are PBN and Al_2O_3 although other materials are available on request
- Integral manual or electro-pneumatic shutter – made of high purity Ta. Isolated from the crucible so that closing the shutter will interrupt the flux without disturbing the equilibrium within the crucible
- Integral water cooling – the EF 40C1 exhibits excellent cooling characteristics
- Sample Heating Power Supply HEAT1-PS
- Linear Shift (optional)

For additional information about control and supply please refer to chapter **H Electronics** and **I Software**

Note:

Dimensions and ranges shown in specifications and drawings can be customized on request.



Specification

Heater	W wire
Thermocouple	Type C (W/Re 5/26%)
Typical operating temperature	1500°C
Degassing temp.	1600°C
Temperature stability	$\pm 1^{\circ}\text{C}$
Mounting flange	DN 40 CF
In-vacuum O.D.	35 mm
In-vacuum length	As specified
Power consumption	$\sim 300\text{W}$
Recomender working distance	100 - 150 mm
Degassing without water	500°C