

## LINEAR TRANSFERS

### Application

The linear transfers are designed to transport sample holders/samples between chambers. They are commonly used to transfer samples from load lock chambers to system main chambers.

### Specification

The linear transfers are pumped by the system vacuum pump set or else with a dedicated pump set. The entire movement range of the transfer mechanism is via a rotary motion feedthrough. The range of the transfer movement is from 400 to 1600mm.

There are 2 types of linear transfers available:

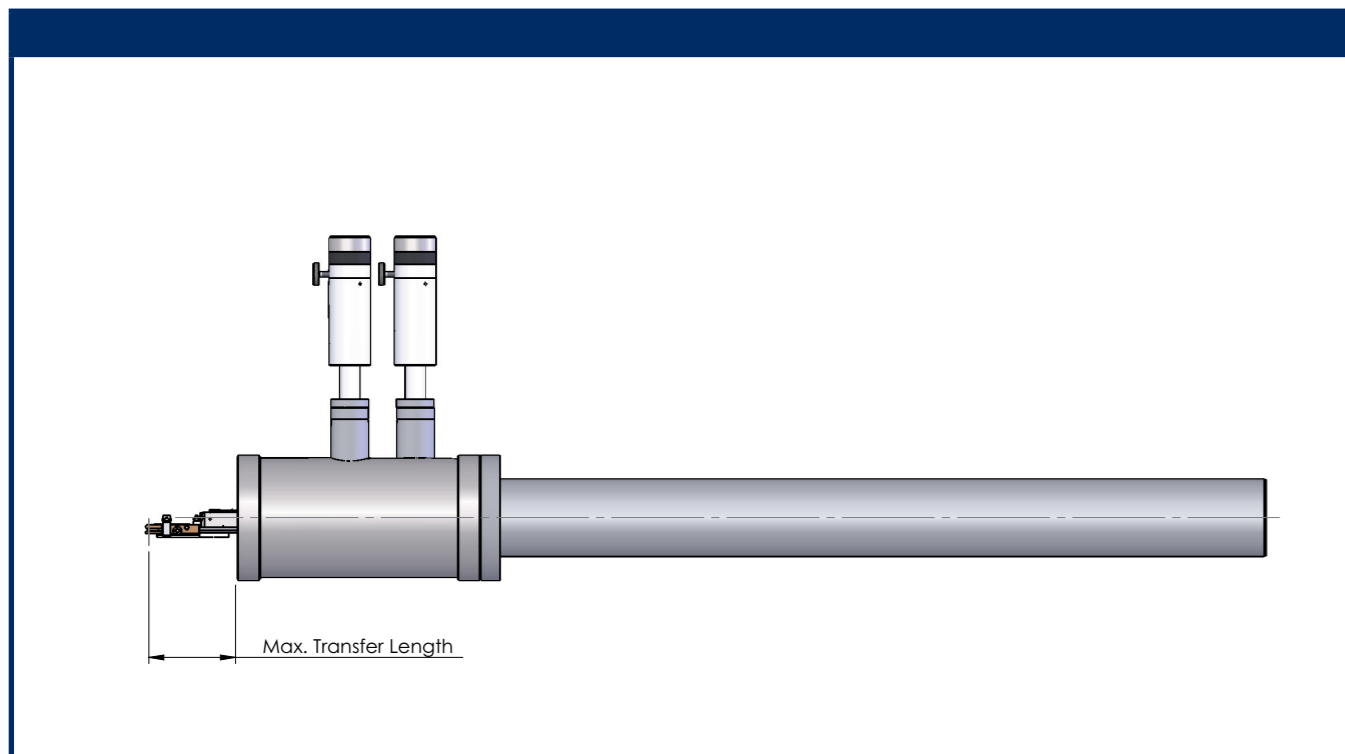
- With forward movement only
- With forward movement and continuous rotation around the movement axis

Our linear transfer mechanisms are fully mechanical and without any magnetic parts which means both direct movement and closer access without slack, even after many years and hundreds of bakeout cycles.

- Ceramic bearings
- No magnetic field

### Note:

Standard mounting flange is DN 63CF. Standard range of transfer lengths is every 50mm between 400 to 1600mm.



## TRANSPORT BOXES

### Application

Transport boxes are designed for transporting samples between different UHV systems under ultra high vacuum conditions.

### Specification

Sample holders/samples may be stored and transported inside the transport box whilst maintaining UHV conditions. Vacuum conditions are maintained with an ion pump and monitored with appropriate pressure gauge. The pump is designed so that it can be powered from e.g. a car battery or other power source.

Weight only 7 kg / 10 kg with power supply

Vacuum  $\sim 10^{-9}$ mbar



### Description

Transport Box  
for two sample holders

